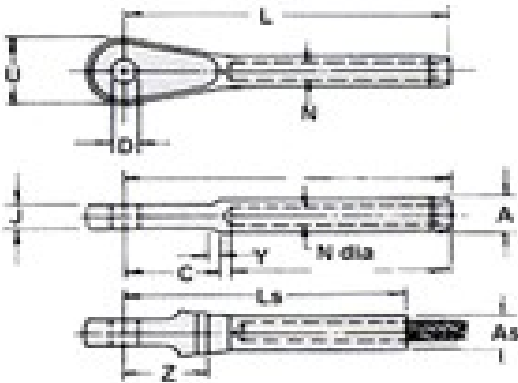


NCA

EYE AND FORK ENDS

Part Number	Cable Diameter	A	As	C	D	J	L	LS	N	P	U	Y	Z	Lbs/Pc
MS20668-2	1/16	.160	.138	.523	.190	.088	1.631	1.809	.078	1.042	.359	.072	.662	.009
MS20668-3	3/32	.218	.190	.707	.190	.103	2.043	2.16	.109	1.261	.438	.092	.856	.018
MS20668-4	1/8	.250	.219	.738	.190	.190	2.337	2.593	.141	1.511	.500	.103	.900	.035
MS20668-5	5/32	.297	.250	.831	.250	.197	2.684	3.029	.172	1.761	.640	.131	.997	.050
MS20668-6	3/16	.359	.313	.903	.313	.256	3.019	3.187	.203	2.011	.781	.155	1.082	.090
MS20668-7	7/32	.427	.375	1.007	.313	.291	3.382	3.678	.234	2.261	.813	.187	1.195	.135
MS20668-8	1/4	.494	.438	1.133	.375	.307	3.763	4.062	.265	2.511	.968	.221	1.326	.200



NCA

EYE AND FORK ENDS

Part Number	Cable Diameter	A	As	C	D	J	L	LS	N	P	U	Y	Z	Lbs/Pc
MS20667-2	1/16	.160	.138	.523	.190	.088	1.631	1.809	.078	1.042	.359	.072	.662	.009
MS20667-3	3/32	.218	.190	.707	.190	.103	2.043	2.16	.109	1.261	.438	.092	.856	.018
MS20667-4	1/8	.250	.219	.738	.190	.190	2.337	2.593	.141	1.511	.500	.103	.900	.035
MS20667-5	5/32	.297	.250	.831	.250	.197	2.684	3.029	.172	1.761	.640	.131	.997	.050
MS20667-6	3/16	.359	.313	.903	.313	.256	3.019	3.187	.203	2.011	.781	.155	1.082	.090
MS20667-7	7/32	.427	.375	1.007	.313	.291	3.382	3.678	.234	2.261	.813	.187	1.195	.135
MS20667-8	1/4	.494	.438	1.133	.375	.307	3.763	4.062	.265	2.511	.968	.221	1.326	.200

