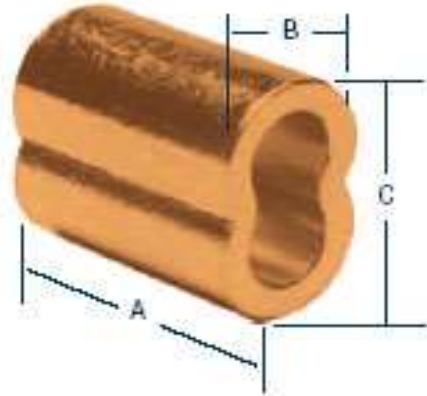


NCA

OVAL SLEEVES

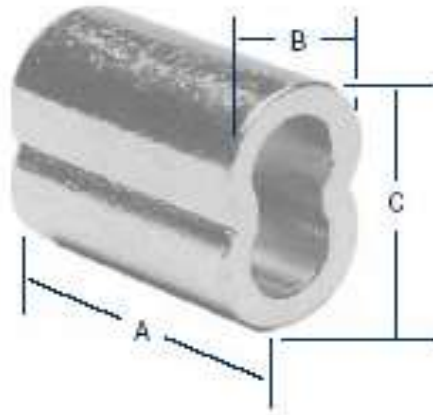
Copper

Part Number MS 51844	Cable Diameter	Net Wt. Lbs/1000	A	B	C
-41	3/64	.17	.375	.134	.201
-42	1/16	.26	.375	.170	.251
-43	3/32	.53	.425	.224	.369
-44	1/8	1.57	.550	.324	.492
-45	5/32	2.24	.625	.365	.592
-46	3/16	5.00	1.00	.449	.671
-47	7/32	4.40	.875	.461	.713
-48	1/4	7.60	1.138	.515	.810



Zinc Plated Copper

Part Number MS 51844	Cable Diameter	Net Wt. Lbs/1000	A	B	C
-21	3/64	.17	.375	.134	.201
-22	1/16	.26	.375	.170	.251
-23	3/32	.53	.425	.224	.369
-24	1/8	1.57	.550	.324	.492
-25	5/32	2.24	.625	.365	.592
-26	3/16	5.00	1.00	.449	.671
-27	7/32	4.40	.875	.461	.713
-28	1/4	7.60	1.138	.515	.810

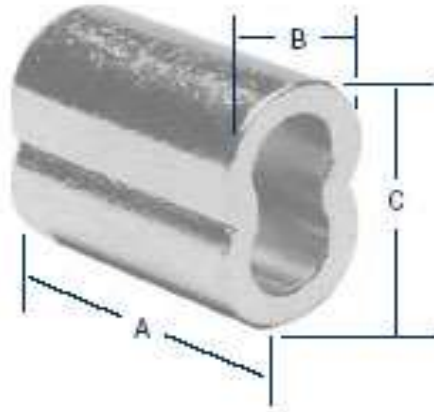


NCA

OVAL SLEEVES

Aluminum

Part Number	Cable Diameter	Net Wt. Lbs/1000	A	B	C
AOS-1.5	3/64	.05	.375	.134	.201
AOS-2	1/16	.09	.375	.170	.251
AOS-3	3/32	.32	.425	.224	.369
AOS-4	1/8	.64	.550	.324	.492
AOS-5	5/32	.80	.625	.365	.592
AOS-6	3/16	1.56	1.00	.449	.671
AOS-7	7/32	2.22	.875	.461	.713
AOS-8	1/4	2.52	1.138	.515	.810



Stainless Steel

Part Number	Cable Diameter	Net Wt. Lbs/1000	A	B	C
MS 51844					
-61	3/64	.16	.375	.134	.201
-62	1/16	.15	.375	.170	.251
-63	3/32	.27	.425	.224	.369
-64	1/8	.43	.550	.324	.492
-65	5/32	1.41	.625	.365	.592
-66	3/16	2.33	1.00	.449	.671
-67	7/32	3.13	.875	.461	.713
-68	1/4	4.76	1.138	.515	.810

