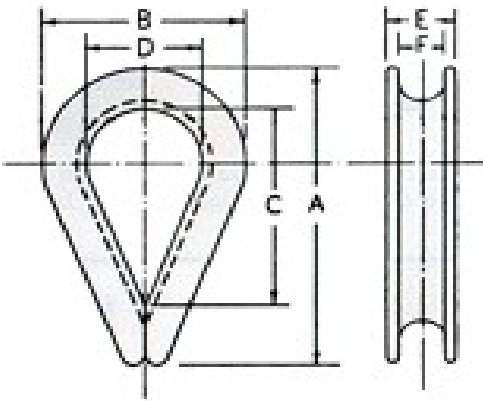


# NCA

## Thimbles

### Medium Duty Galvanized Thimbles

Part Number	Cable Diameter	A	B	C	D	E	F	Lbs. per
GTM-4	1/8"	2	1-1/8	1-3/8	5/8	9/32	5/32	3.5
GTM-6	3/16"	2	1-1/8	1-3/8	5/8	11/32	1/4	3.5
GTM-8	1/4"	2	1-1/8	1-3/8	11/16	3/8	5/16	3.5

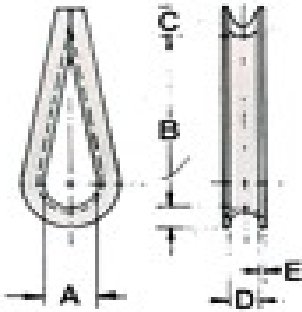


# NCA

## Thimbles

### Light Duty Galvanized Thimbles - Stainless Steel

Part Number	Cable Diameter	A	B	C	D	E
AN 100-C3	3/64	.350	43/64	3/16	3/32	0.032
AN 100-C3	1/16	.350	43/64	3/16	3/32	0.032
AN 100-C3	5/64	.350	43/64	3/16	3/32	0.032
AN 100-C3	3/32	.350	43/64	3/16	3/32	0.032
AN 100-C4	3/32	.350	45/64	7/32	9/64	0.032
AN 100-C4	7/64	.350	45/64	7/32	9/64	0.032
AN 100-C4	1/8	.350	45/64	7/32	9/64	0.032
AN 100-C5	5/32	.400	51/64	7/32	11/64	0.032
AN 100-C6	3/16	.400	1	5/16	13/64	0.032
AN 100-C8	7/32	.700	1-13/32	13/32	17/64	0.032
AN 100-C8	1/4	.700	1-13/32	13/32	17/64	0.032



### Light Duty Galvanized Thimbles - Cold Rolled Zinc Plated

Part Number	Cable	A	B	C	D	E
AN 100-3	3/64	.350	43/64	3/16	3/32	0.032
AN 100-3	1/16	.350	43/64	3/16	3/32	0.032
AN 100-3	5/64	.350	43/64	3/16	3/32	0.032
AN 100-3	3/32	.350	43/64	3/16	3/32	0.032
AN 100-4	3/32	.350	45/64	7/32	9/64	0.032
AN 100-4	7/64	.350	45/64	7/32	9/64	0.032
AN 100-4	1/8	.350	45/64	7/32	9/64	0.032
AN 100-5	5/32	.400	51/64	7/32	11/64	0.032
AN 100-6	3/16	.400	1	5/16	13/64	0.032
AN 100-8	7/32	.700	1-13/32	13/32	17/64	0.032
AN 100-8	1/4	.700	1-13/32	13/32	17/64	0.032

2 of 2

500 Hampton Rd.

PO Box 345

Pomfret Center, CT06258

NCA, Incorporated  
<http://www.ncaincorporated.com>

860.974.2310  
[sales@ncaincorporated.com](mailto:sales@ncaincorporated.com)